

RHINO-RACK®

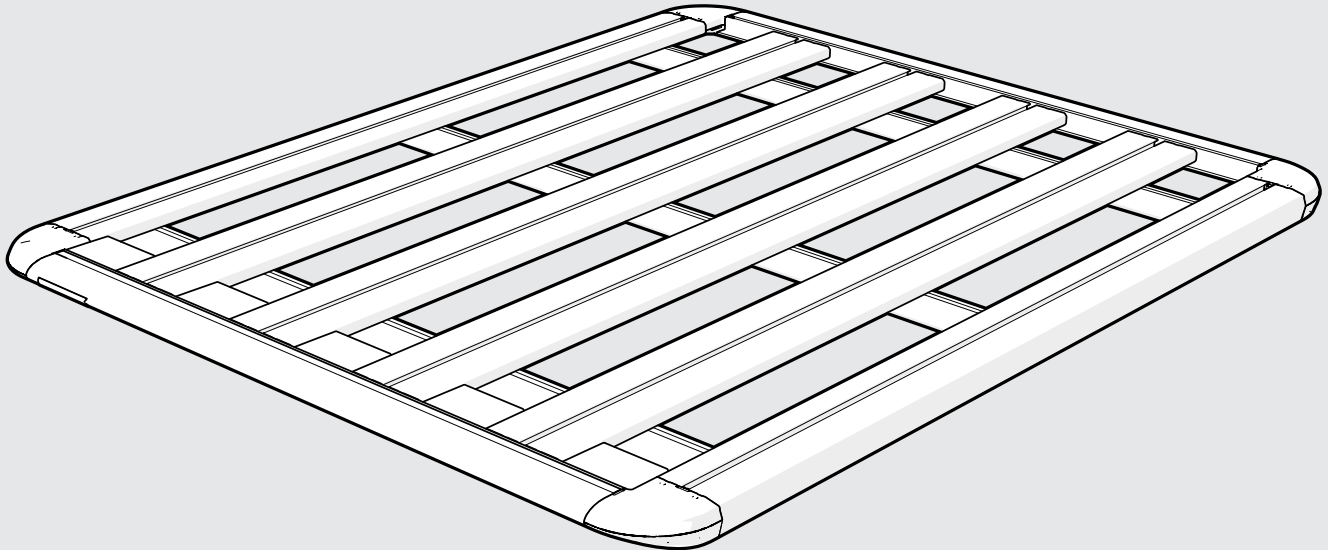
6 Series Pioneer Platform 62100 - 62105, 62107 - 62113

Important:

1. Check the Rhino-Rack website to ensure you have the latest issue of these instructions.
2. Please refer to your fitting instruction to ensure that the roof racks are installed in the correct locations.
3. Check the contents of kit before commencing fitment and report any discrepancies.
4. Place these instructions in the vehicle's glove box after installation is complete.
5. These instructions must be followed for warranty to be upheld.

Fit Time: 30 mins

PIONEER™



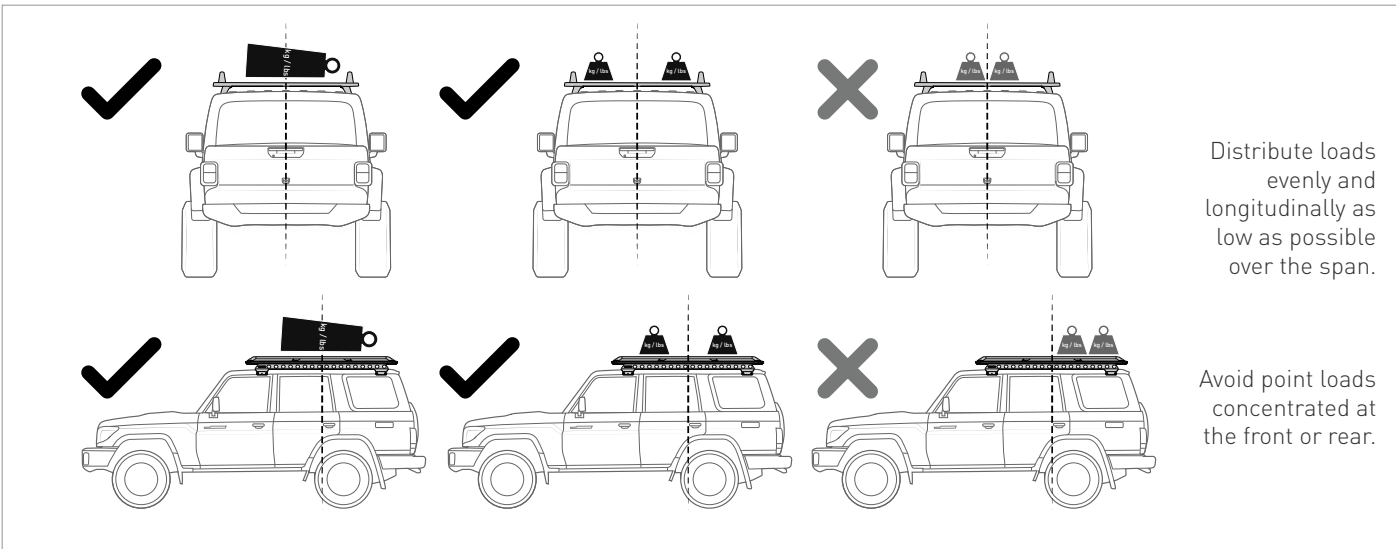
TWO PERSON
INSTALLATION

RHINORACK.COM

Doc. No: 520-RFI-00132

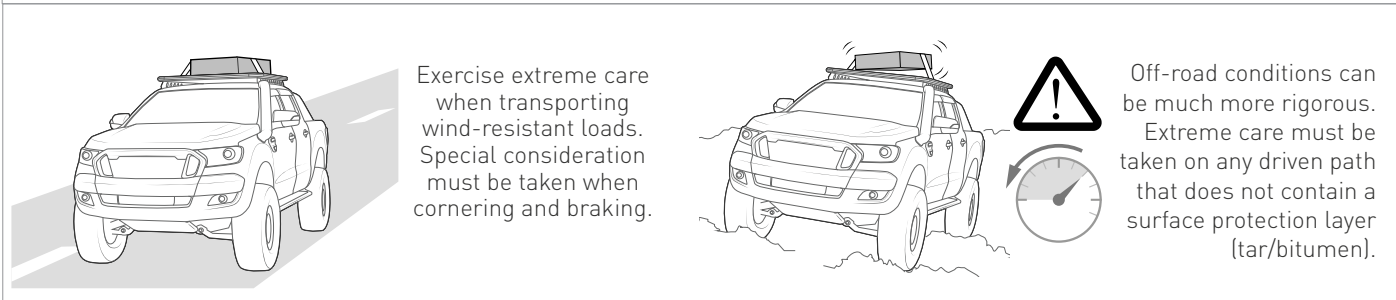
Issue No: 02

Issue Date: 24/01/2024



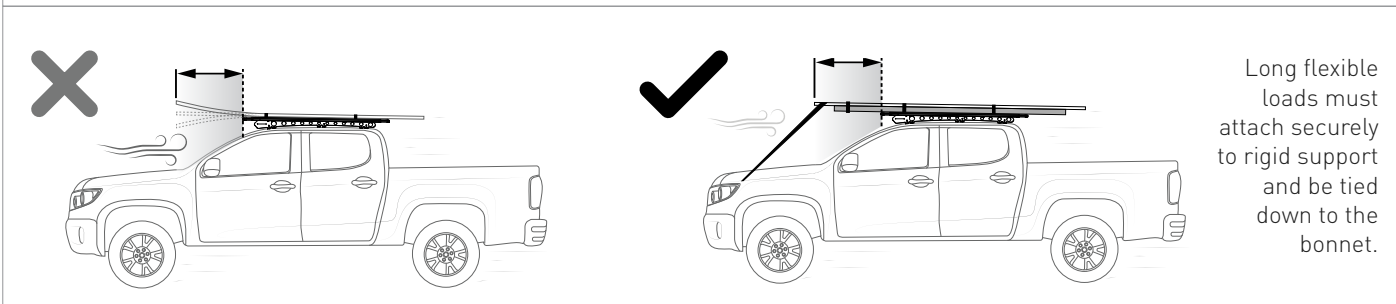
Distribute loads evenly and longitudinally as low as possible over the span.

Avoid point loads concentrated at the front or rear.

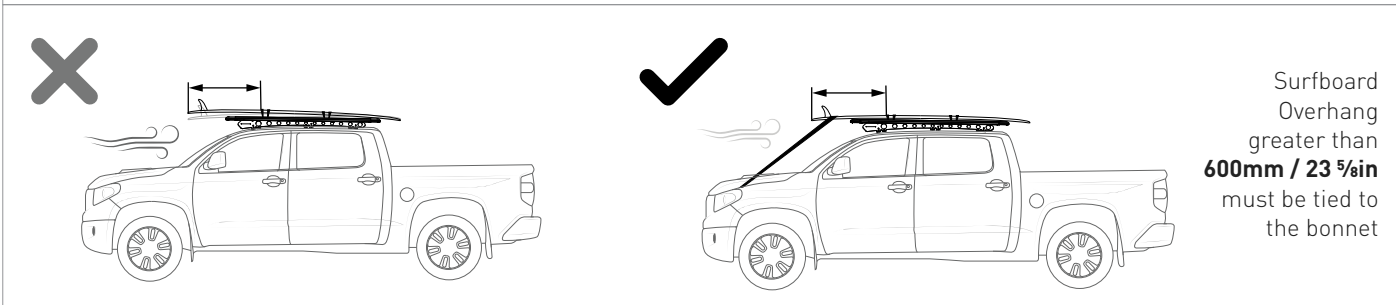


Exercise extreme care when transporting wind-resistant loads. Special consideration must be taken when cornering and braking.

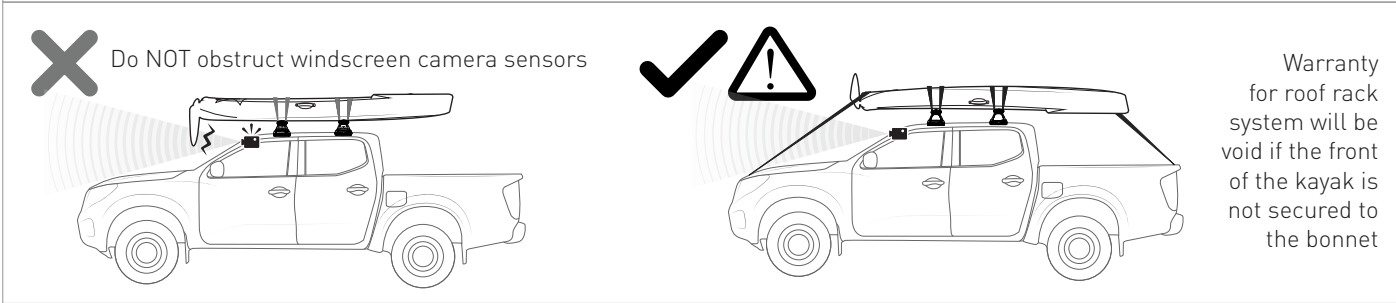
Off-road conditions can be much more rigorous. Extreme care must be taken on any driven path that does not contain a surface protection layer (tar/bitumen).



Long flexible loads must attach securely to rigid support and be tied down to the bonnet.

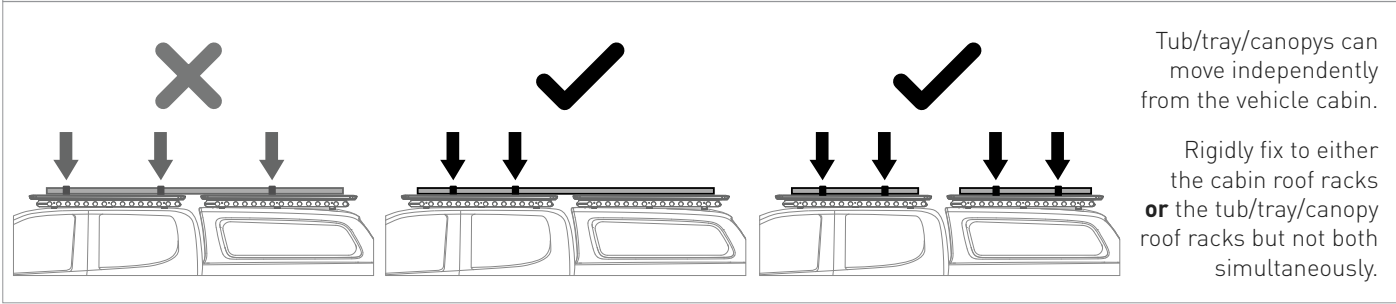


Surfboard Overhang greater than **600mm / 23 5/8in** must be tied to the bonnet



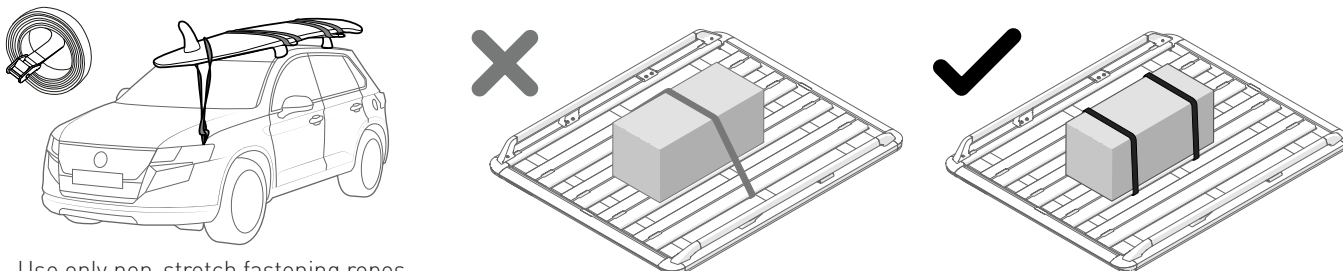
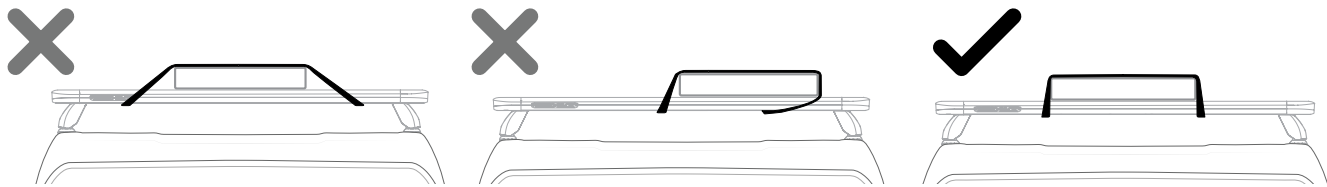
Do NOT obstruct windscreen camera sensors

Warranty for roof rack system will be void if the front of the kayak is not secured to the bonnet

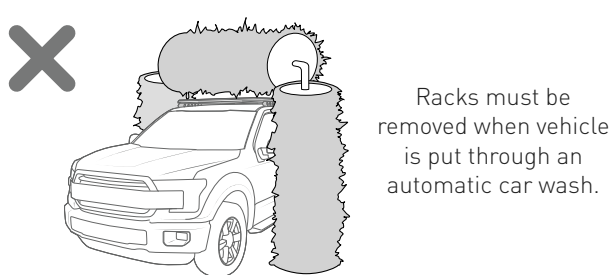


Tub/tray/canopys can move independently from the vehicle cabin.

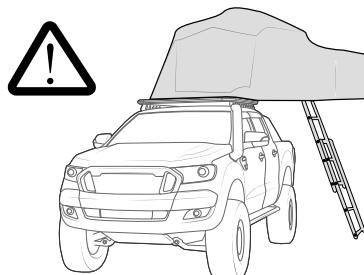
Rigidly fix to either the cabin roof racks **or** the tub/tray/canopy roof racks but not both simultaneously.



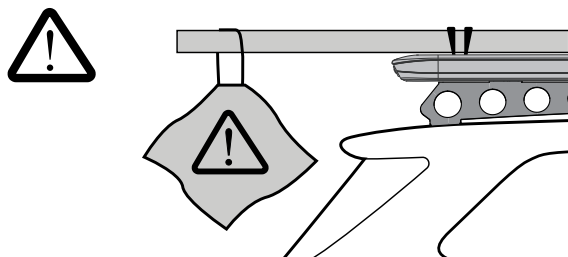
Use only non-stretch fastening ropes or straps to attach cargo to roof racks



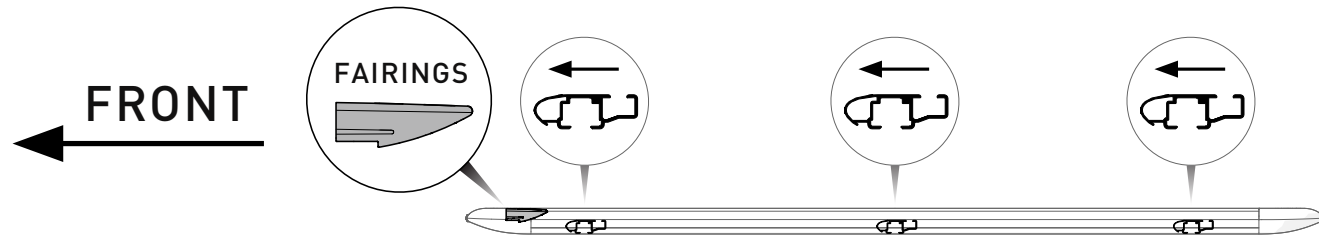
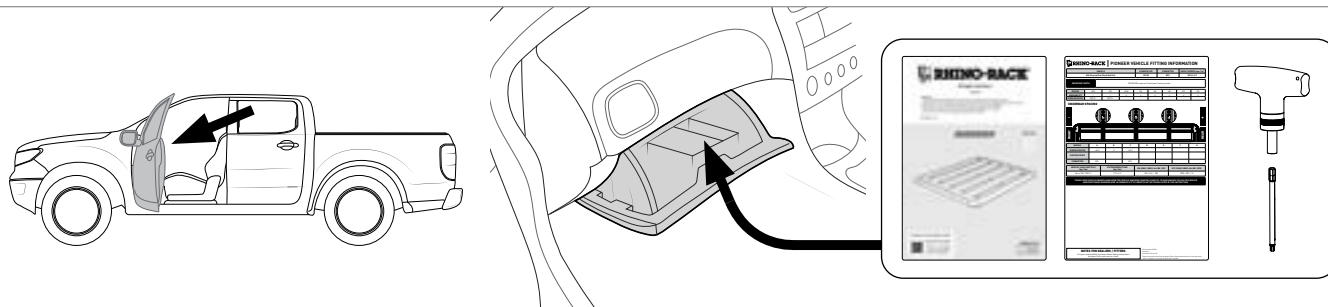
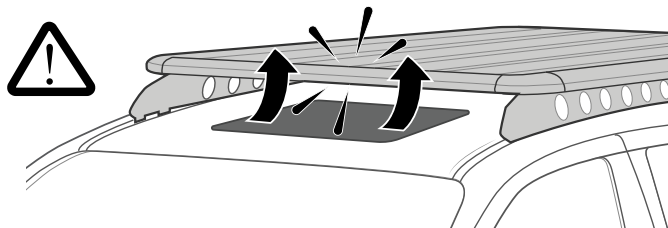
Racks must be removed when vehicle is put through an automatic car wash.



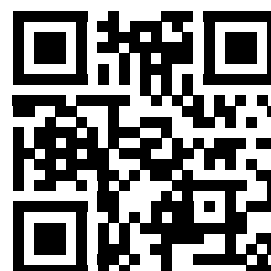
Ensure Ladder is well supported on the ground to support tent. Take extreme caution when climbing heights above 1.2m/4ft.



Ensure sunroof will not collide with roof rack system.

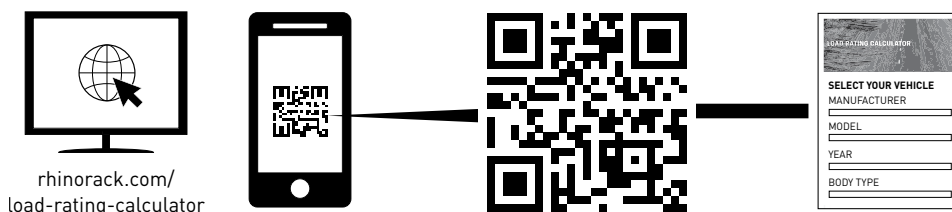


[Youtube.com/Rhinorackaustralia](https://www.youtube.com/Rhinorackaustralia)



Carrying Capacity

Check the website and the vehicle owners hand book for your vehicle manufacturer’s maximum carrying capacity. Load must be evenly distributed over the system.



Cargo Load Limit

Total permissible weight allowed on top, and attached to the rack whilst the vehicle is in motion.



System Weight

Total weight of the rack system. (e.g. Crossbars, Backbone, Platform)



Max System Load Capacity

Please ensure you use the vehicle manufacturer’s maximum roof allowance if it is lower than the figure listed in the fitting chart/supplement.



Vehicle Manufacturer’s Load Limit

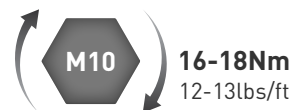
Total permissible weight attached to the rack. This is inclusive of the weight of the rack system.

In Service Maintenance Checks

- All bolt connections should be checked after driving a short distance when you first install your roof racks.
- All bolted connections should be checked again at regular intervals (weekly is recommended, depending on road conditions, usage, loads and distances travelled).
- All bolted connections should be checked each time they are re-fitted.
- Off-road conditions are more rigorous. Check all bolted connections and your load more regularly.
- Ensure that your vehicle manufacturer’s GVM, and gross axle weights are not exceeded (refer to vehicle owner’s manual).

Torque Settings:

Unless stated otherwise in these instructions, all fasteners should be set to the following torque settings:



Note for Dealers and Fitters

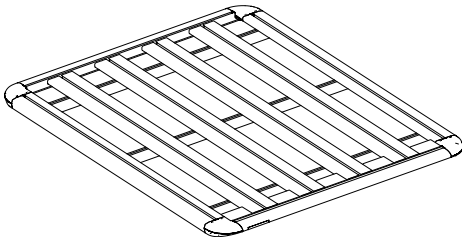
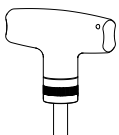

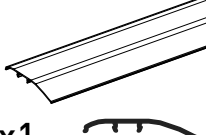
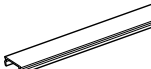

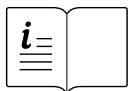
It is your responsibility to ensure these fitting instructions are given to the end user or client. These instructions remain the property of Rhino-Rack Australia Pty. Ltd. and may not be used or changed for any other purpose than intended.

Warranty

We love creating our products for you and hope you love using them too. For complete peace of mind, register your product at www.rhinorack.com/warranty. This way, we can quickly help you with any future approved fitment warranty claims.

And remember – never to forget to **Make Space For Adventure!**

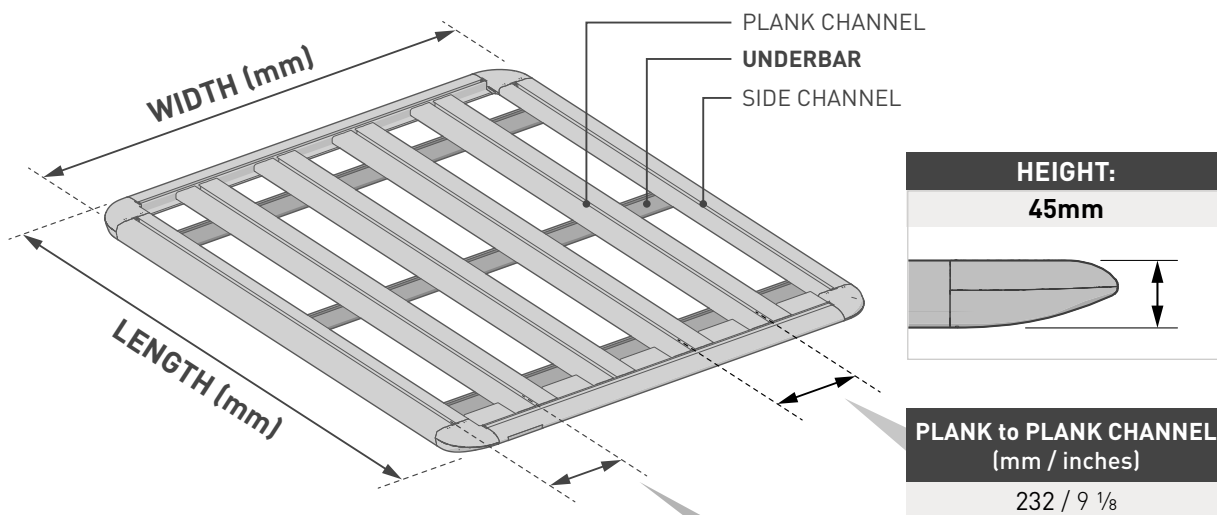
Parts List

<p>Assembled Pioneer 62100 depicted in this instruction</p>  <p>A x1</p>	<p>Torque Tool</p>  <p>B x1</p>	<p>T25 Torx Drive</p>  <p>C x1</p>	<p>Underbar Cover</p>  <p>D x1</p>
	<p>Channel Cover Preassembled</p>  <p>E x2</p>	<p>Plastic Cap Included in kits 62100 - 62103, 62109 - 62111</p>  <p>F x6</p>	<p>Instructions</p>  <p>G x1</p>

TOOLS REQUIRED:

- T1** - Measuring Tape
- T2** - Pencil / Marker
- T3** - Tin Snips / Cutters
- T4** - 13mm Socket Wrench / Spanner (for Backbone fittings)
- T5** - Flathead screwdriver (for FRONT mounted Accessories)

Platform Sizes

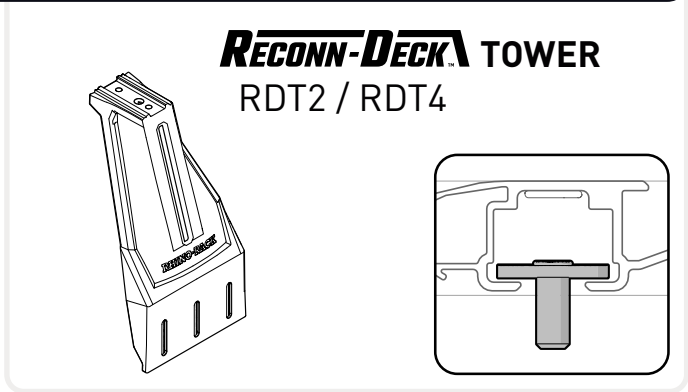
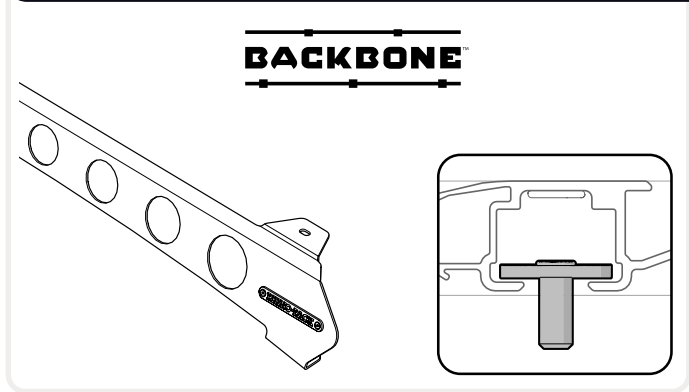


MODEL	LENGTH (mm / inches)	WIDTH (mm / inches)	PLANKS	UNDERBARS	SIDE to PLANK CHANNEL (mm / inches)	APPROX. WEIGHT (kg / lbs)
62112	900 / 35 7/16	1430 / 56 5/16	5	2	193 / 7 5/8	12.5 / 27.6
62115*	1100 / 43 5/16	1430 / 56 5/16	5	3	193 / 7 5/8	15.6 / 34.4
62109	1300 / 51 3/16	1240 / 48 13/16	4	3	214 / 8 7/16	14.8 / 32.6
62110	1300 / 51 3/16	1380 / 54 5/16	5	3	168 / 6 5/8	16.9 / 37.3
62111	1300 / 51 3/16	1430 / 56 5/16	5	3	193 / 7 5/8	17.1 / 37.7
62100	1500 / 59 1/16	1240 / 48 13/16	4	3	214 / 8 7/16	16.2 / 35.7
62101	1500 / 59 1/16	1380 / 54 5/16	5	3	168 / 6 5/8	18.6 / 41.0
62113	1500 / 59 1/16	1430 / 56 5/16	5	3	193 / 7 5/8	18.8 / 41.4
62114*	1500 / 59 1/16	1580 / 62 3/16	5	3	268 / 10 9/16	19.6 / 43.2
62108	1800 / 70 7/8	1430 / 56 5/16	5	5	193 / 7 5/8	23.9 / 52.7
62102	1900 / 74 13/16	1240 / 48 13/16	4	5	214 / 8 7/16	21.4 / 47.2
62103	1900 / 74 13/16	1380 / 54 5/16	5	5	168 / 6 5/8	24.5 / 54.0
62107	2100 / 82 11/16	1240 / 48 13/16	4	5	214 / 8 7/16	22.8 / 50.3
62104	2100 / 82 11/16	1430 / 56 5/16	5	5	193 / 7 5/8	26.5 / 58.4
62106*	2500 / 98 7/16	1580 / 62 3/16	5	6	268 / 10 9/16	32.5 / 71.7
62105	2700 / 106 5/16	1472 / 57 15/16	5	7	214 / 8 7/16	34.4 / 75.8

*Available as Flatpack only

Compatibility

COMPLETE BACKBONE / RD TOWER INSTRUCTIONS FIRST BEFORE COMMENCING PLATFORM INSTALLATION



COMPLETE PLATFORM UNDERBAR SETUP BEFORE INSTALLING LEGS TO PLATFORM

LEGS

<p>RX100</p>	<p>RX200</p>
<p>RCH / RCL</p>	<p>SX series</p>
<p>RLT600</p>	<p>RL</p> <p>VA-FK1 FIT KIT required</p>



IMPORTANT NOTE:

Compatibility of the above components is vehicle dependant. Please check viable fitments for your vehicle by following the "Fit My Vehicle" journey online.

rhinorack.com/roof

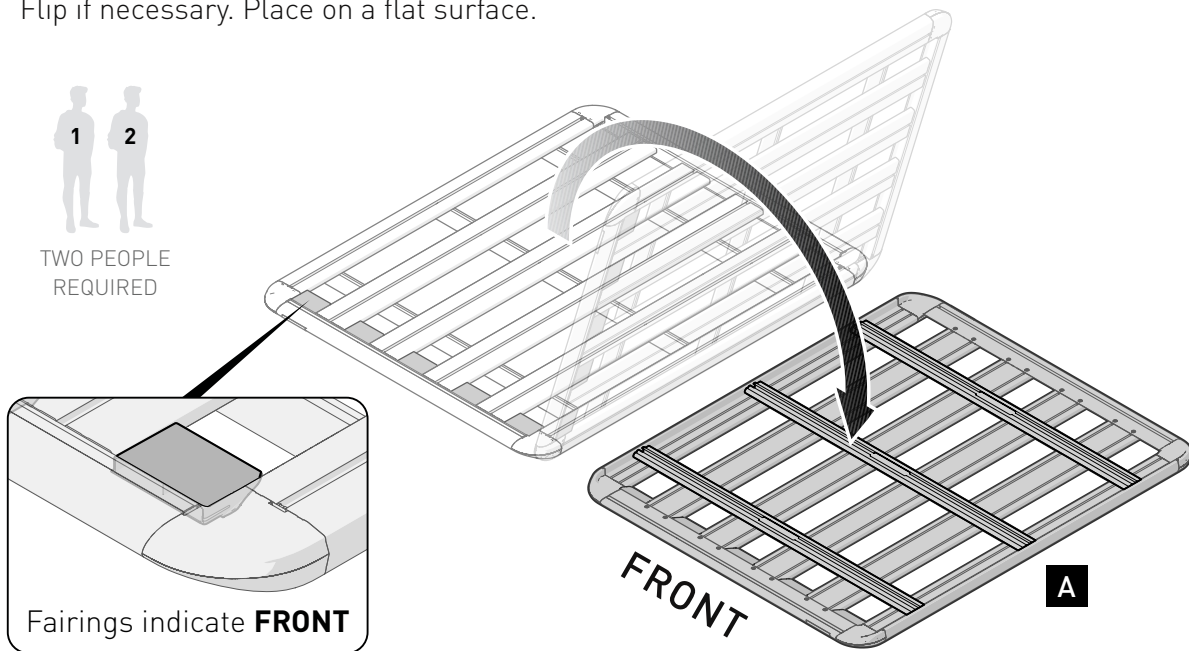
If fitting **RX100 LEG** and drilling is required, refer to **NOTE 1** on **Page 14**
Applies to limited fitments

If fitting an **ACCESSORY** to **FRONT** channels, refer to **NOTE 2** on **Page 14**

If fitting an **ACCESSORY** without **ZWIFLOC** hardware, refer to **NOTE 3** on **Page 16**

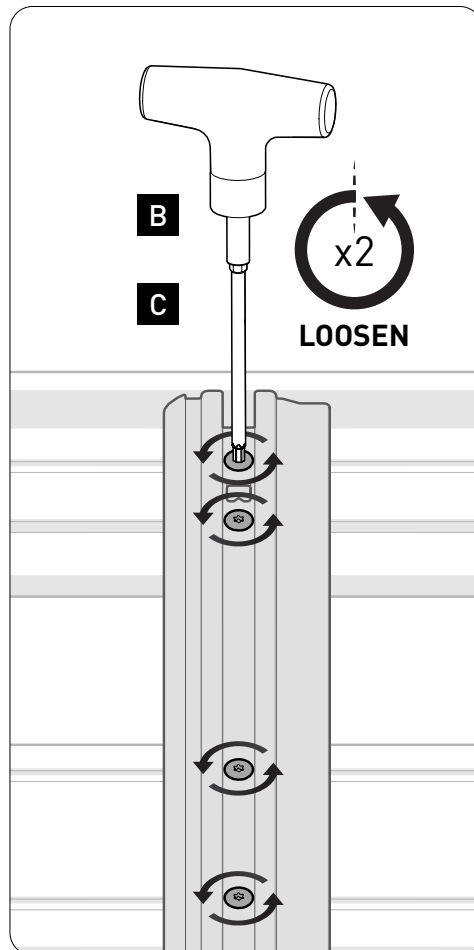
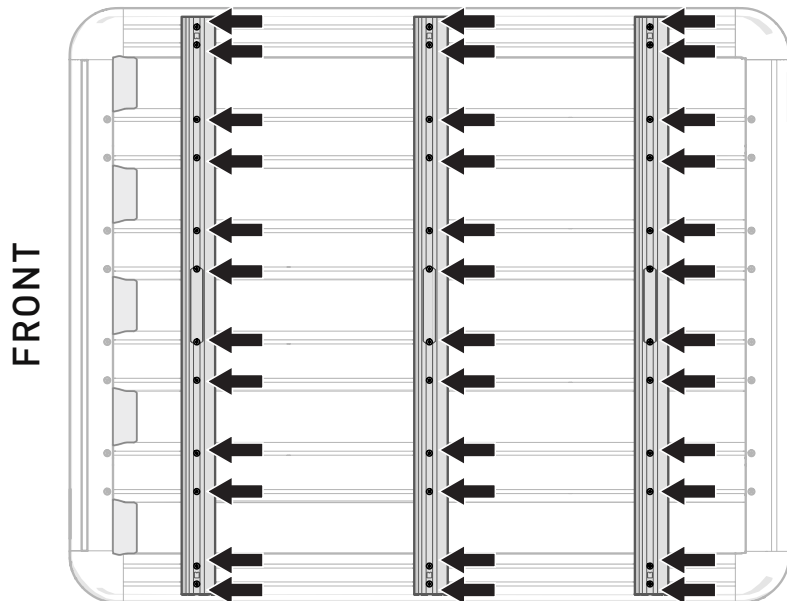
NOTE

Ensure platform is orientated **upside-down** before beginning installation.
Flip if necessary. Place on a flat surface.



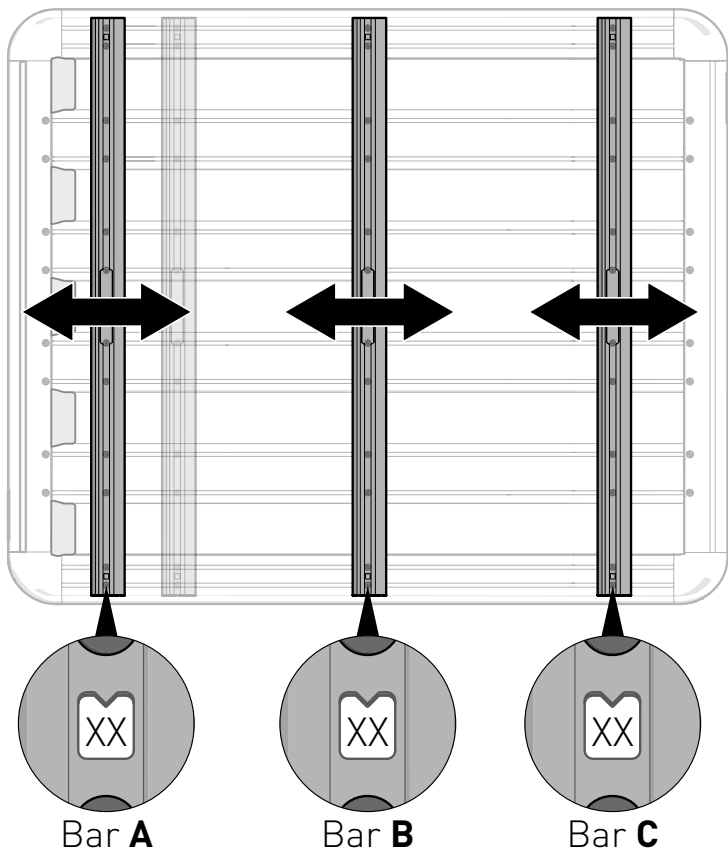
BEGIN INSTALLATION 🚩🚩

1



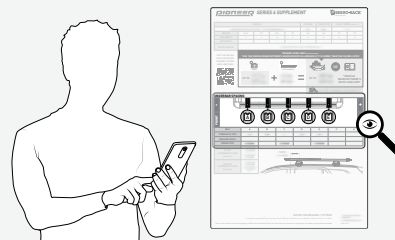
2

FRONT



rhinorack.com/roof

1. Complete **Fit my vehicle** journey
2. Select your **Product Solution**
3. Scroll down to **'Product Details'**
4. Select the **'INSTRUCTIONS'** tab to View the Fitting Chart
5. Space your Underbars to the dimensions provided.

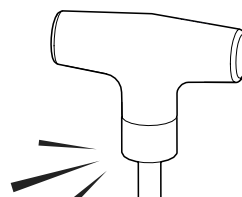
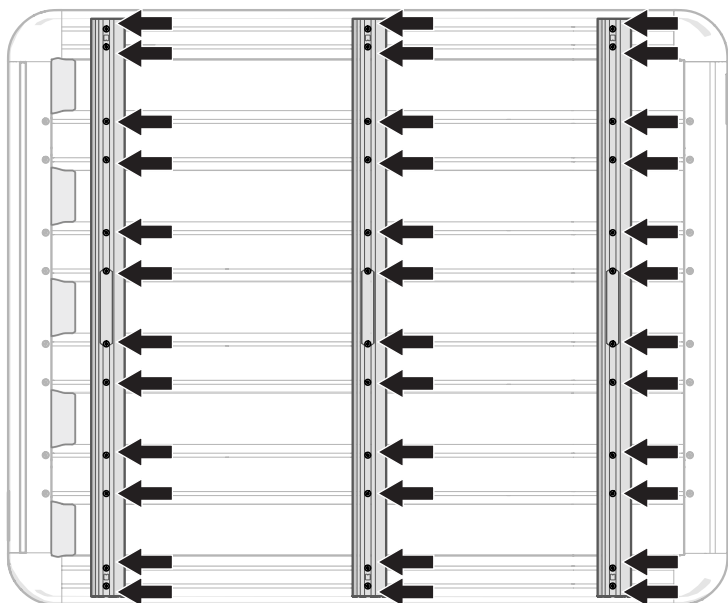


VIEW FIT CHART

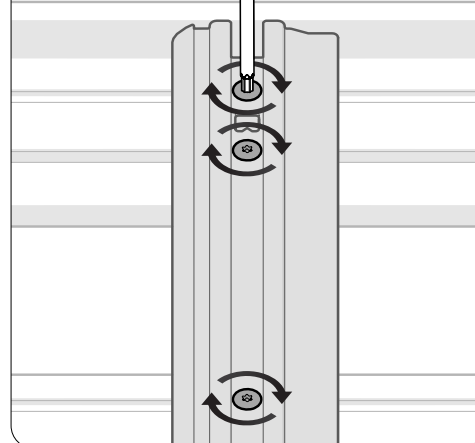
NOTE: Refer to your *Vehicle Specific Pioneer Fit Chart* for your underbar position. The number of underbars varies between platforms.

3

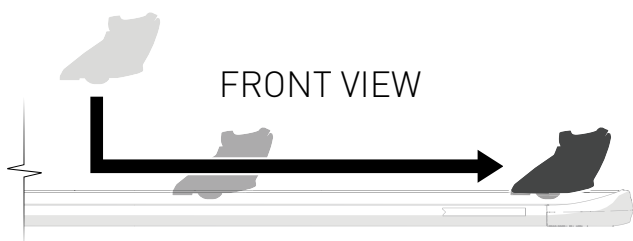
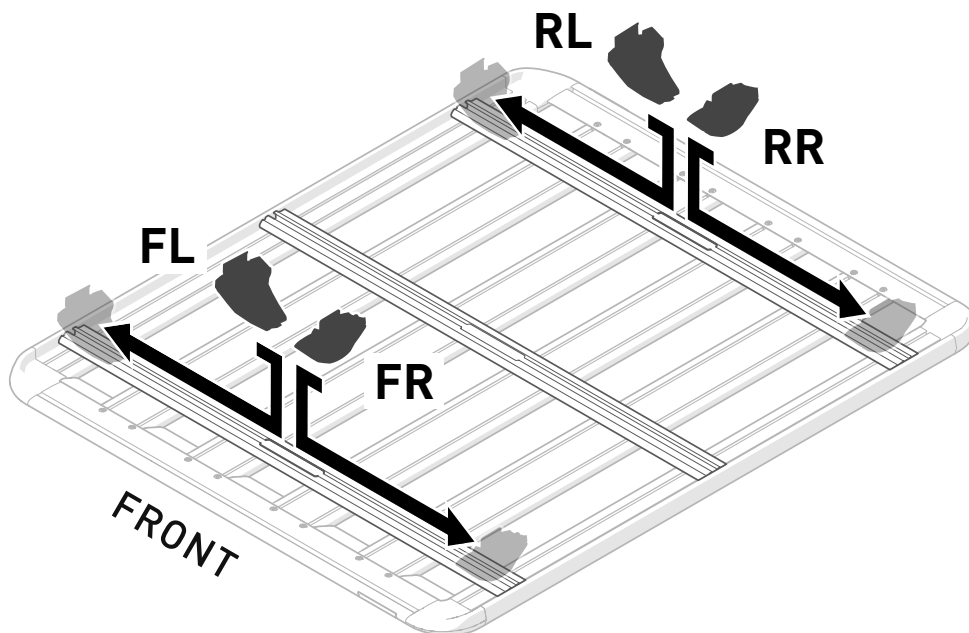
FRONT



CLICK!



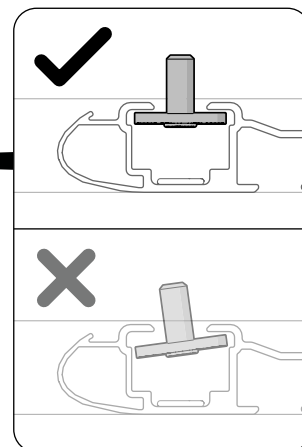
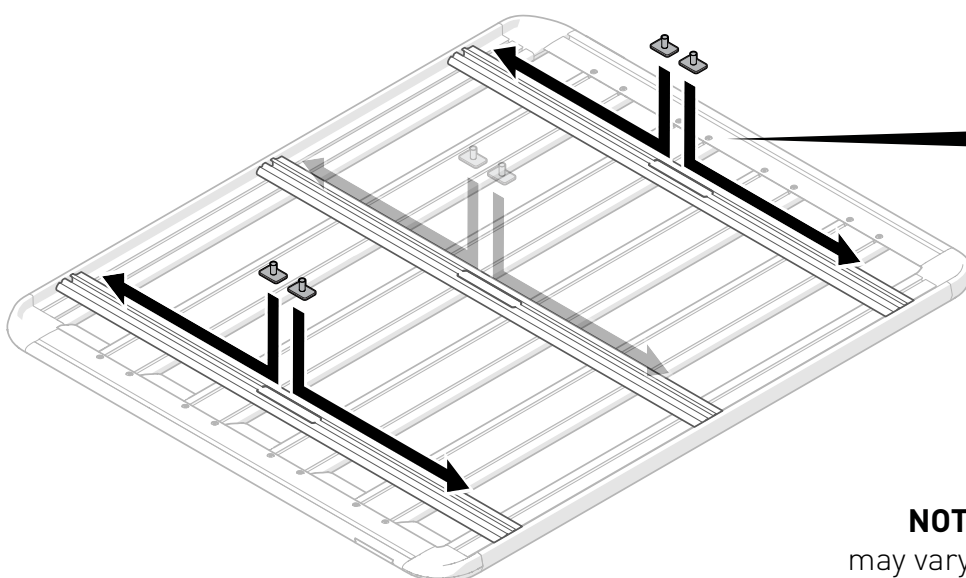
4 FOR INSTALLATION WITH LEGS:



INSTALL ACCORDING TO LEG INSTRUCTIONS AND PIONEER FITTING CHART

NOTE: Refer to COMPATIBILITY Section on PAGE 6 for possible leg fitments

FOR INSTALLATION WITH BACKBONE and RECONN-DECK TOWERS:

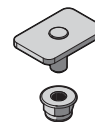


NOTE: number of underbars may vary between platform sizes

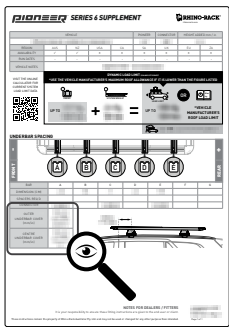


HARDWARE PROVIDED IN BACKBONE / RD TOWER KIT

Quantity depends on platform size:

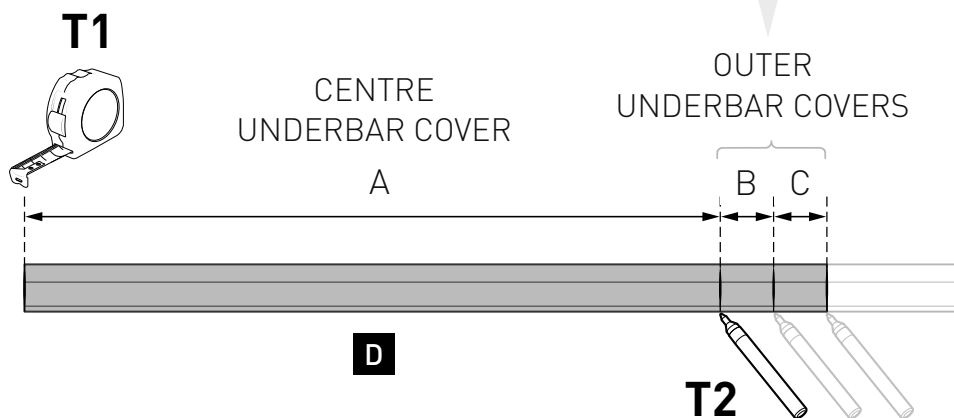


5 Mark dimensions accurately to ensure correct sealing around LEGS / BACKBONES / RD TOWERS



VIEW FIT CHART

NOTE: Some fits do not require OUTER covers

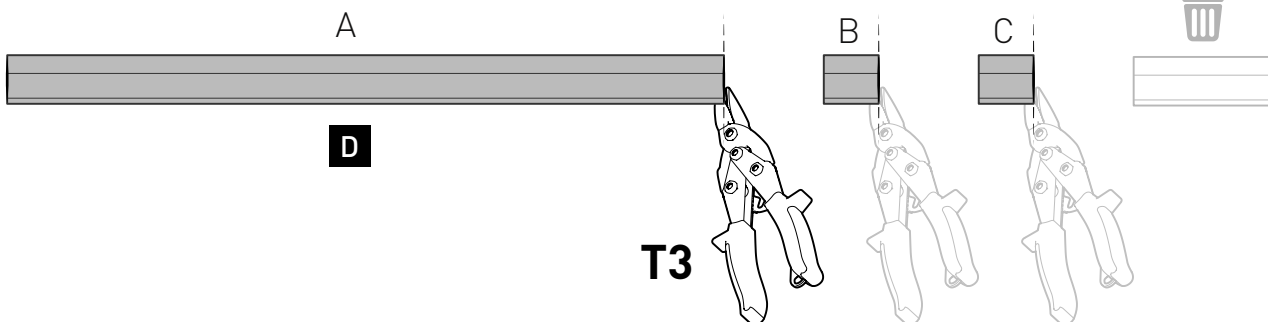


For UNDERBAR COVER MEASURE STEPS proceed to Steps **11** - **13** then resume to Step **6**

6

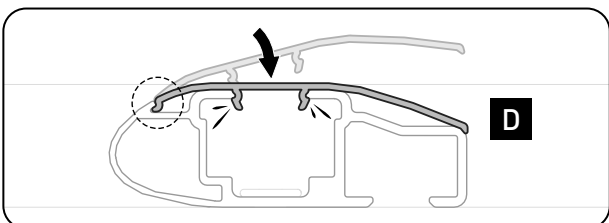
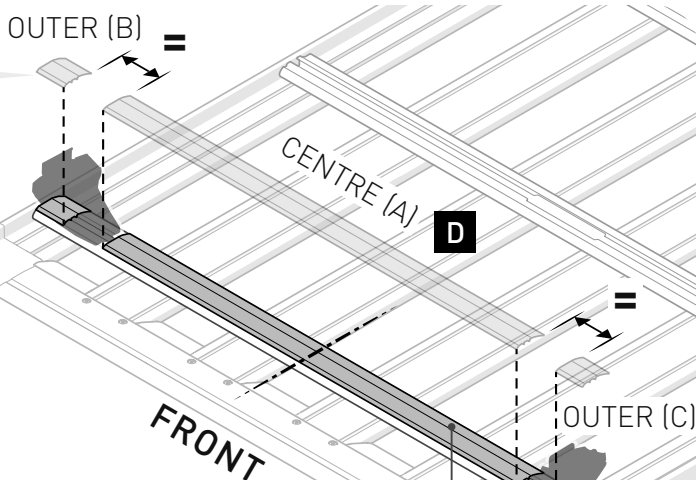
CENTRE UNDERBAR COVER
A

OUTER UNDERBAR COVERS
If applicable
B C



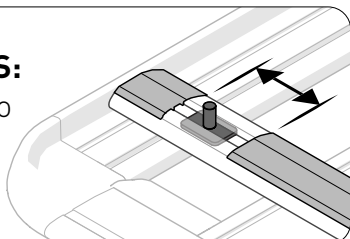
7

NOTE: When legs sit flush to platform side extrusions, OUTER sections not required



FOR T-BOLT FITS:

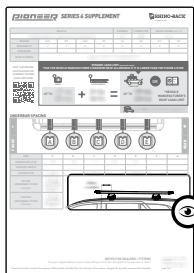
Slide T-bolts into gap on either side



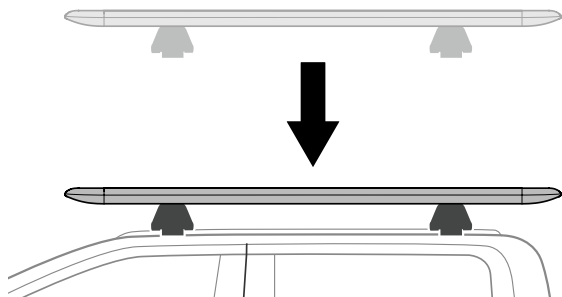
Install CENTRE cover centrally on platform with equal gaps to OUTER sections

8

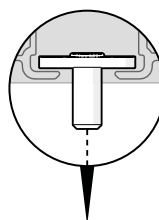
LEGS:



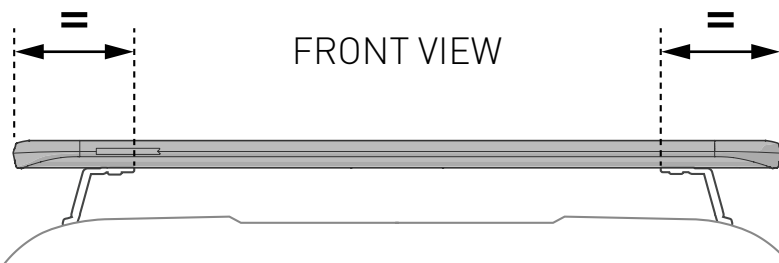
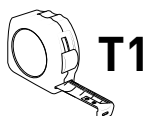
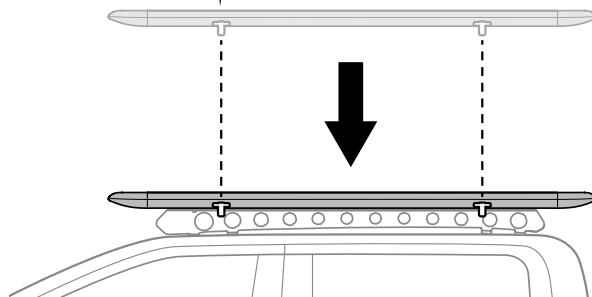
Position to dimension on **Fit Chart**, if provided



BACKBONE / RECONN-DECK TOWERS:

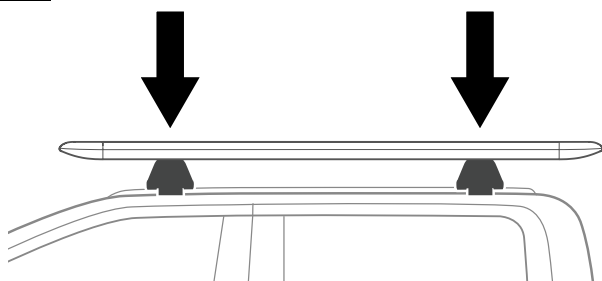


OR

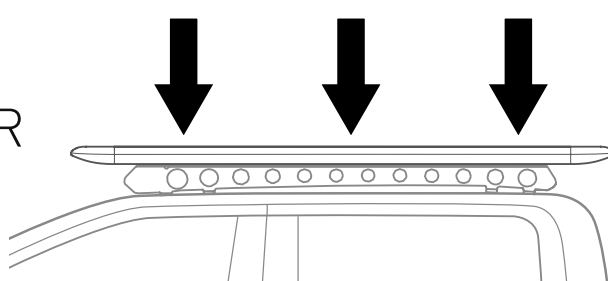


FRONT VIEW

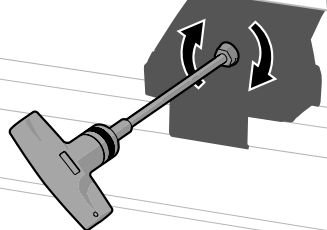
9



OR

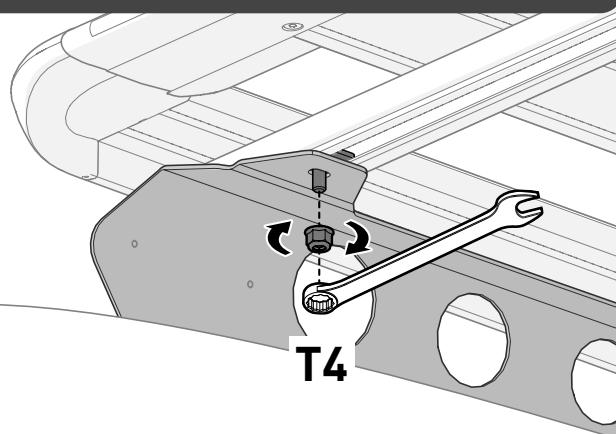


TIGHTEN ACCORDING TO LEG INSTRUCTIONS



If torque is not stated in **LEG** instruction, tighten to **6Nm**

TIGHTEN ACCORDING TO BACKBONE / RD TOWER INSTRUCTIONS

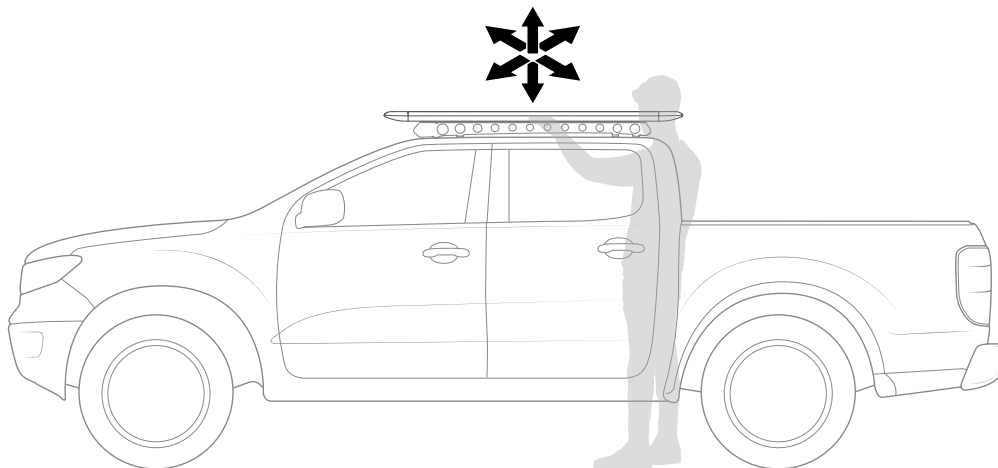


T4

NOTE: For RX100, if bolt is not accessible to tighten, refer to **NOTE 1** on **PAGE 14**

10

CHECK FITMENT IS SECURE



INSTALLATION IS COMPLETE ✓

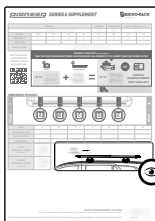
UNDERBAR COVER MEASURE STEPS

Complete Steps **11** - **13** then resume to Step **6**

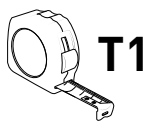
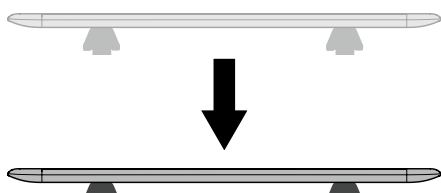
11

FOR LEGS: (FOR **BACKBONE** or **RECONN-DECK** skip to Step **13**)

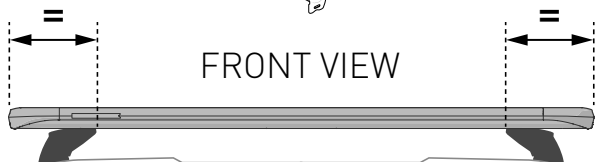
11a



Position to dimension on **Fit Chart**, if provided



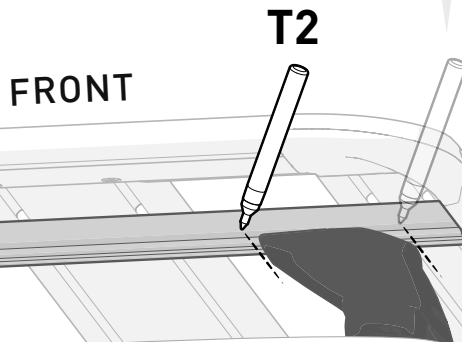
FRONT VIEW



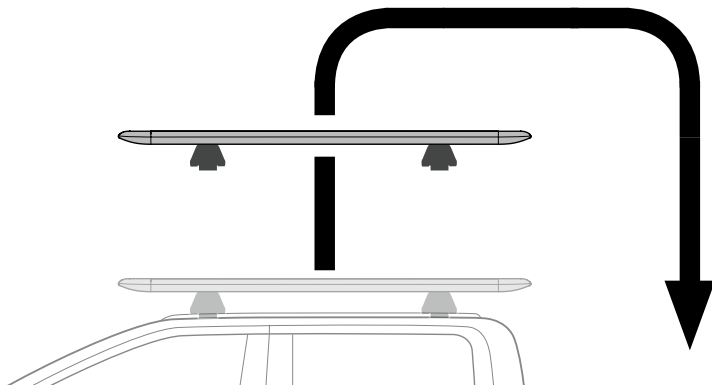
11b

Mark **FRONT underbar** on both LEFT and RIGHT hand side of vehicle

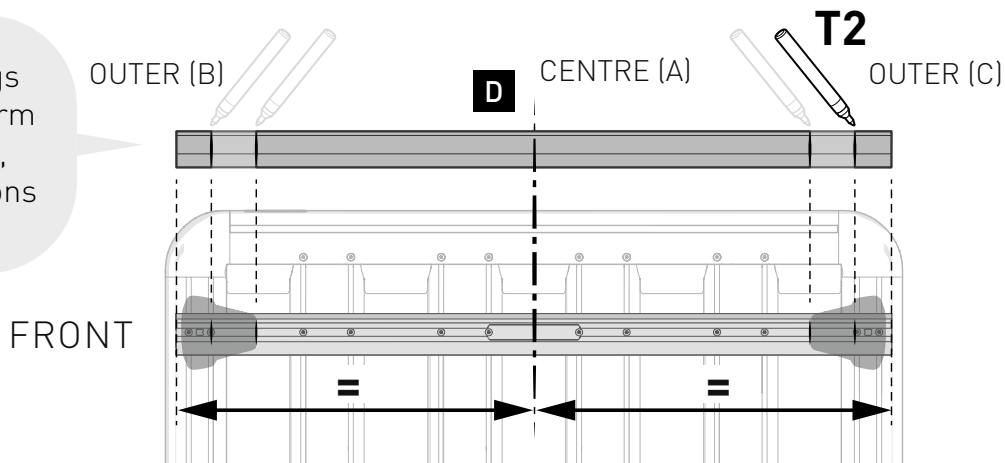
NOTE: When legs sit flush to platform side extrusions, the outside marking isn't required



12



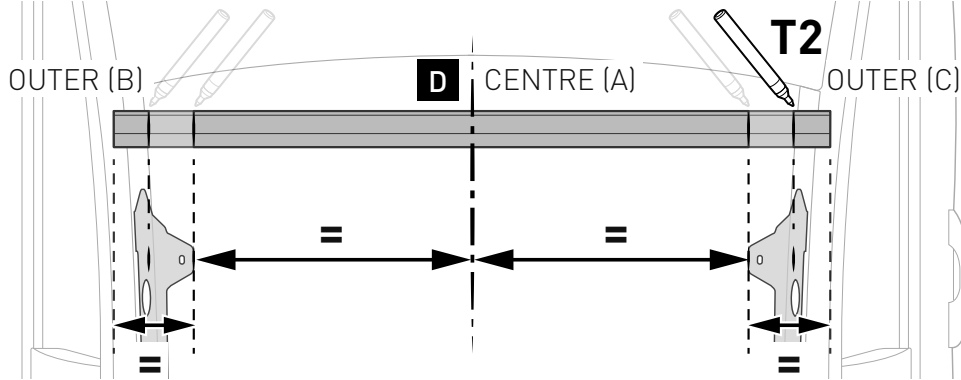
NOTE: When legs sit flush to platform side extrusions, OUTER are sections not required



Once completed, resume to Step 6

13

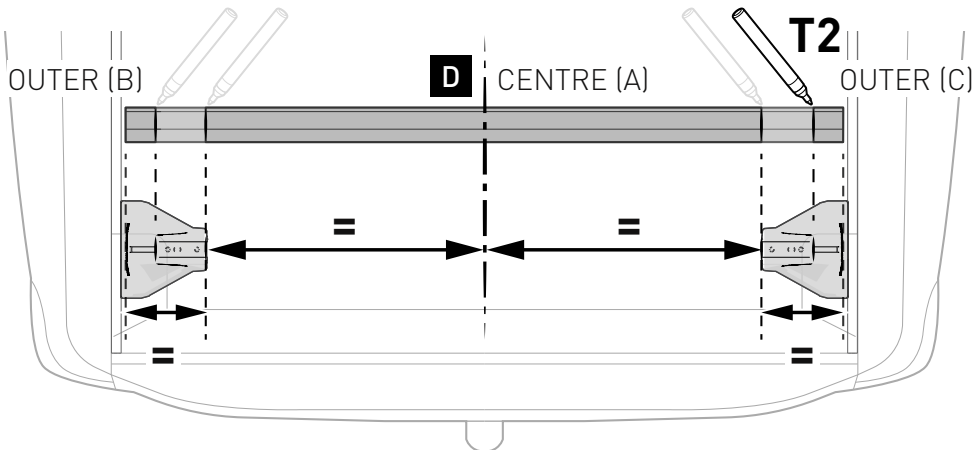
BACKBONE™



T1

OR

RECONN-DECK™
TOWERS

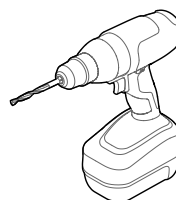
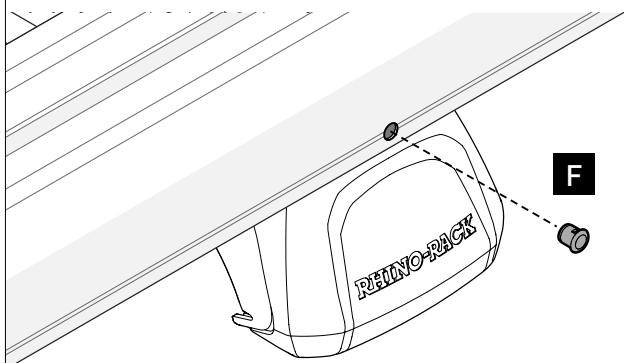


Once completed, resume to Step 6

NOTE 1

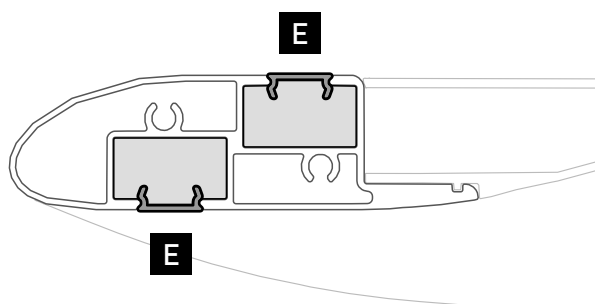
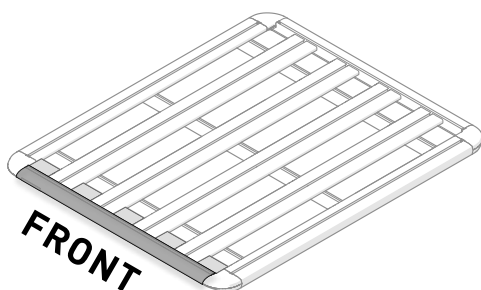
ADDITIONAL PART for RX100 LEG leg Fitments

REFER TO RX100 LEG KIT INSTRUCTIONS FOR COMPLETE INSTALLATION STEPS

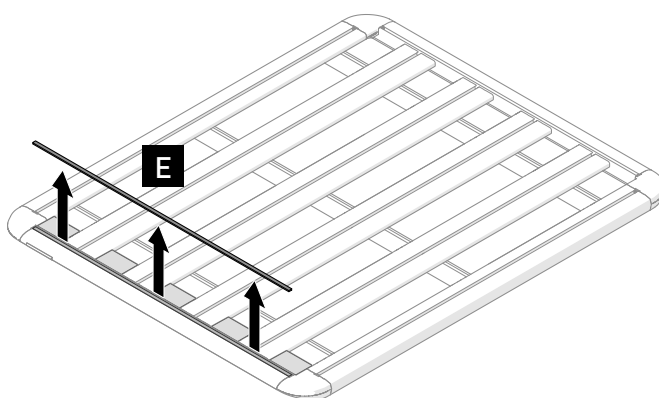
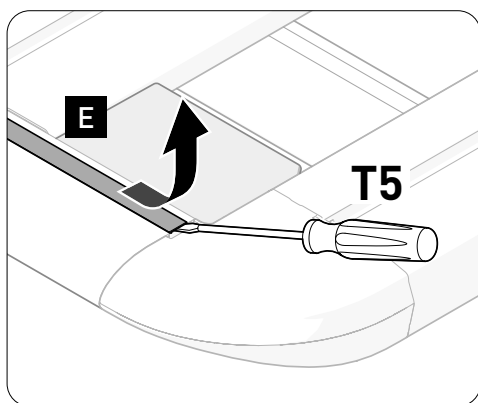


NOTE 2

ADDITIONAL STEPS IF FITTING ACCESSORY TO FRONT CHANNELS

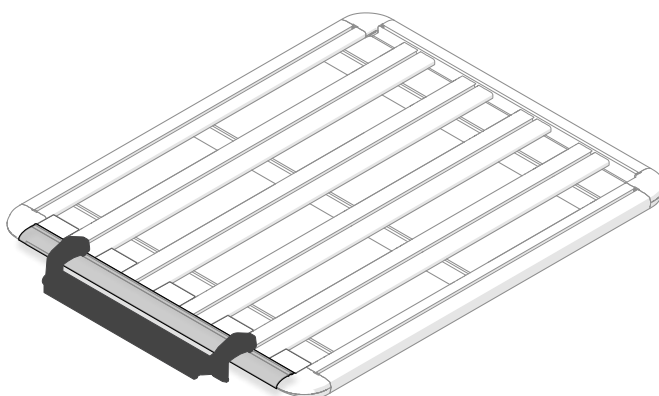


i

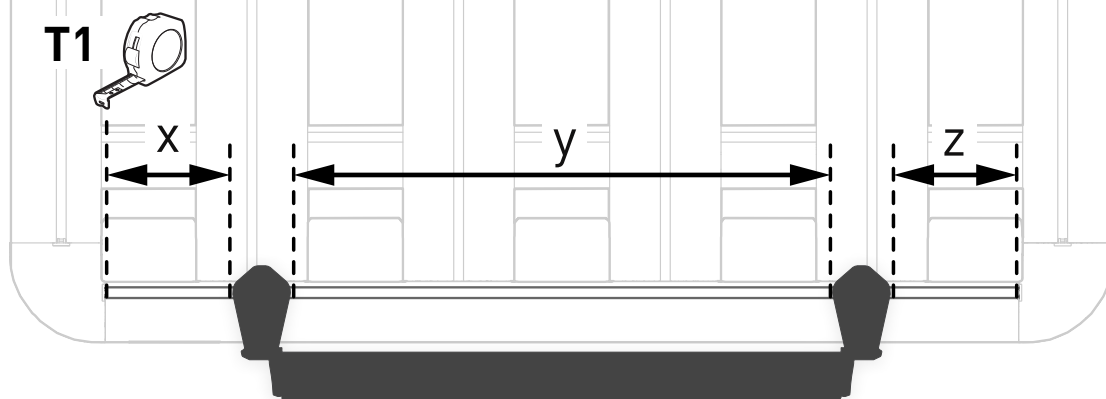


ii

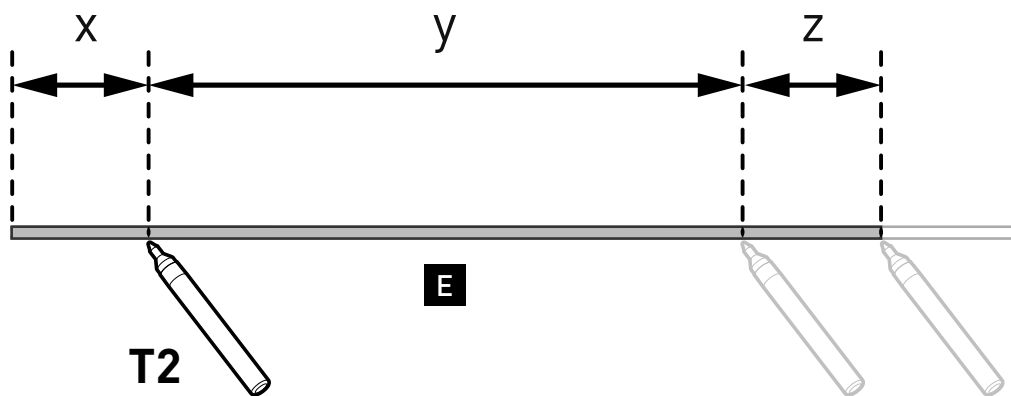
INSTALL ACCESSORY ACCORDING TO ACCESSORY INSTRUCTIONS



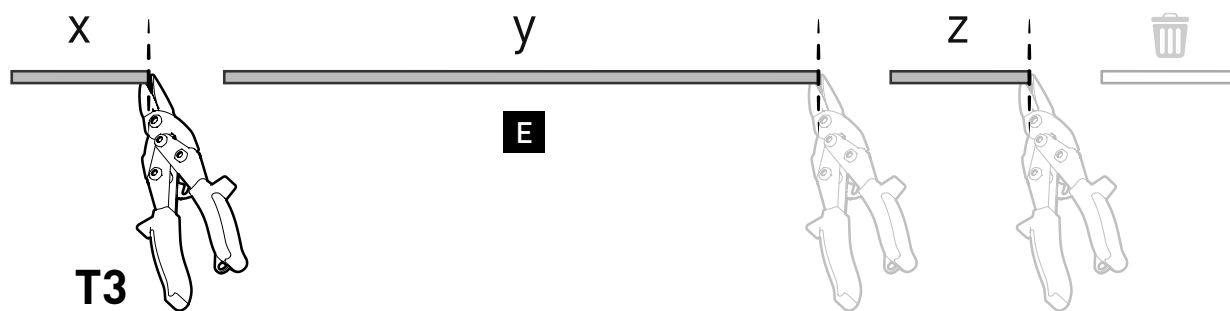
iii



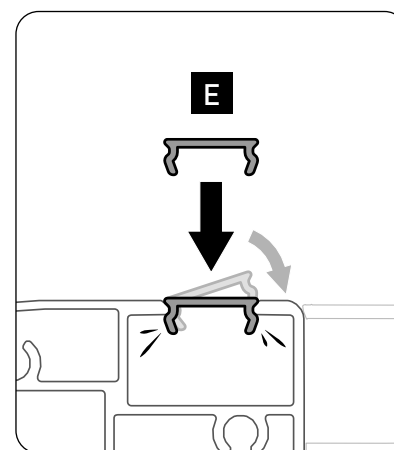
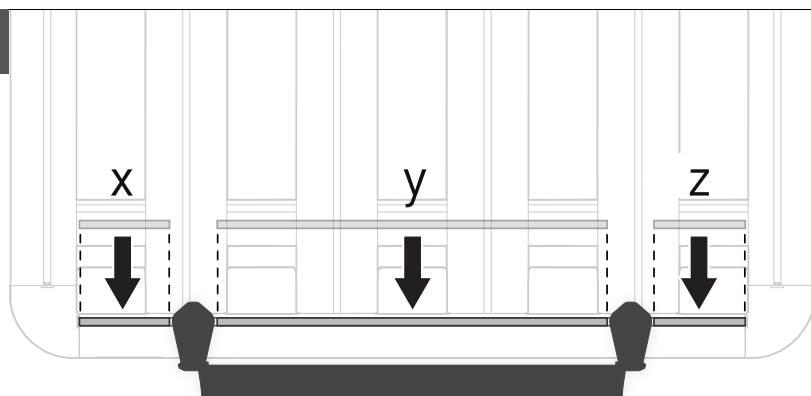
iv



v



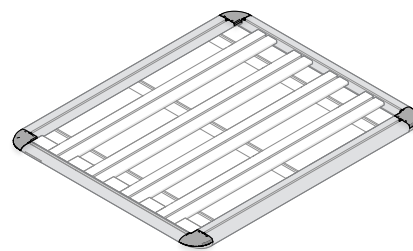
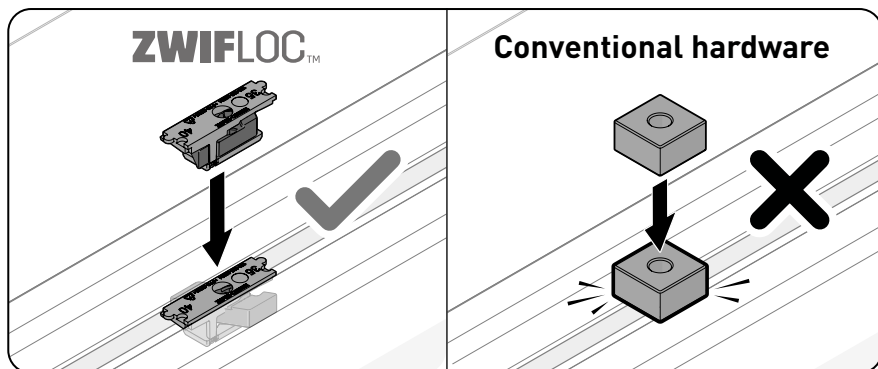
vi



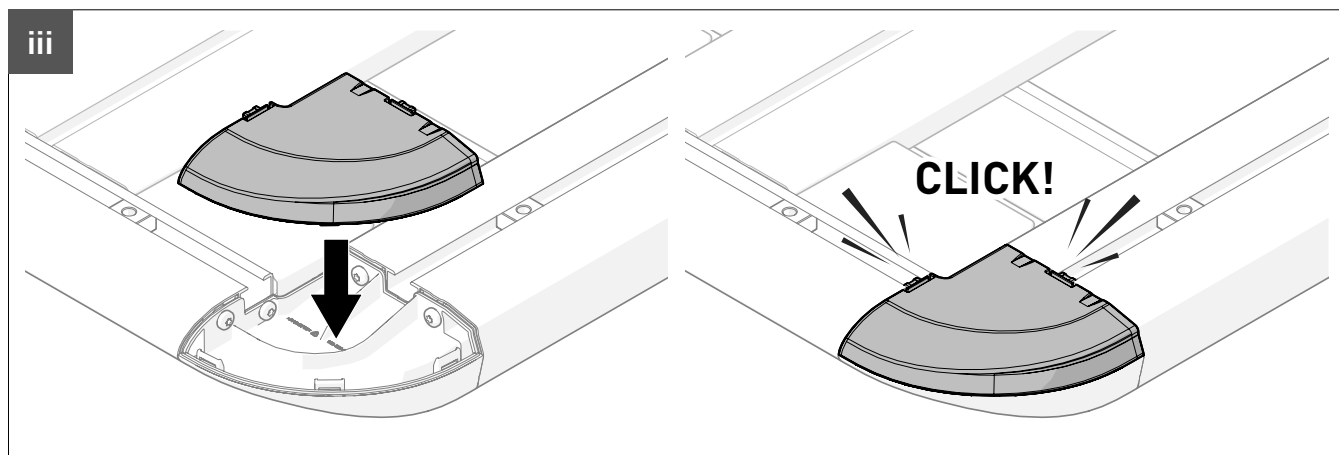
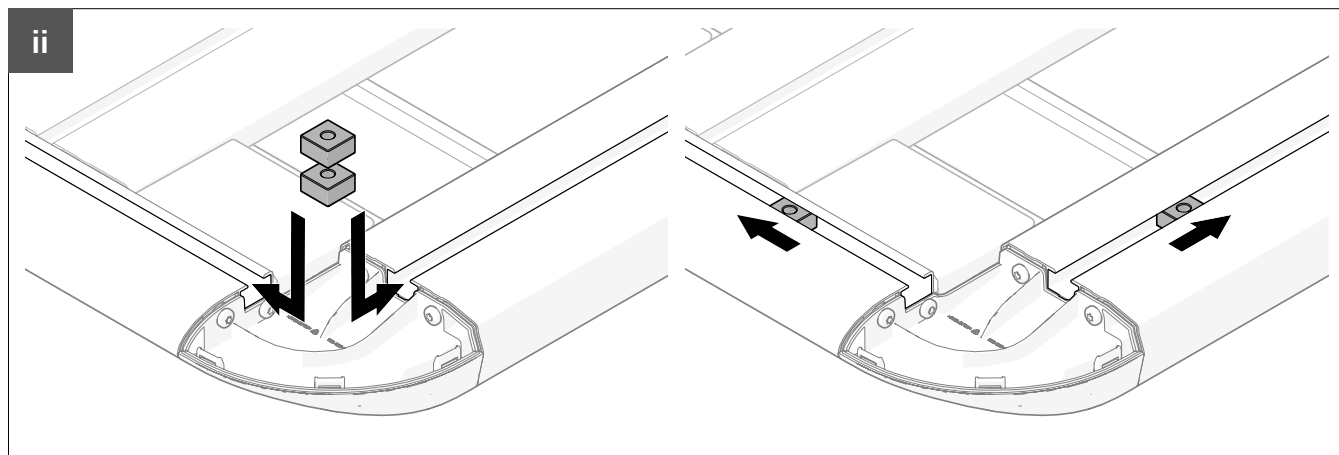
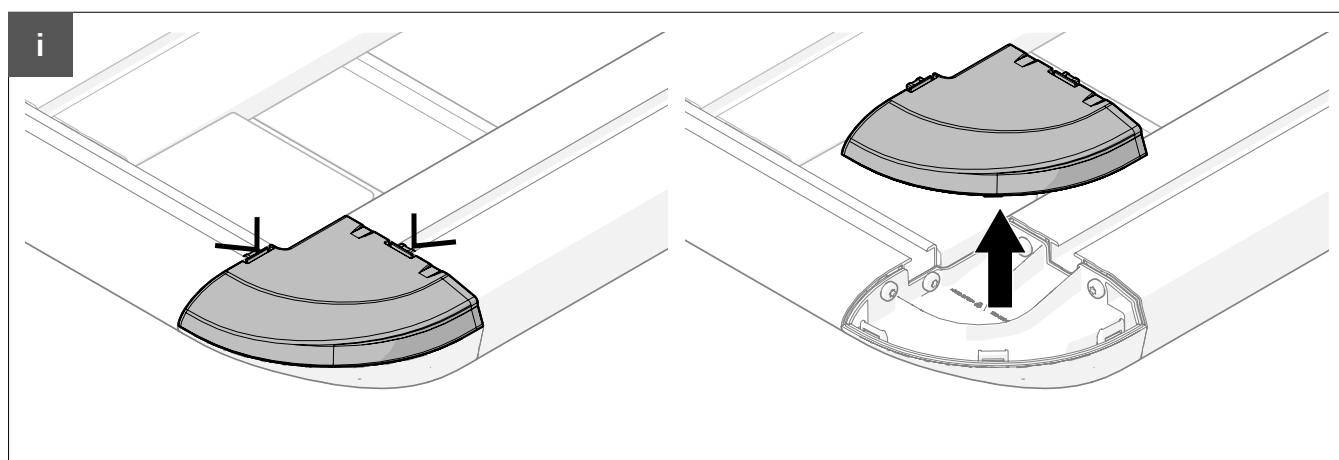
NOTE 3 **ADDITIONAL STEPS IF FITTING ACCESSORY WITHOUT ZWIFLOC™**

Non-Zwifloc hardware cannot be placed into channels directly.

Perimeter channel openings can be accessed via platform corners



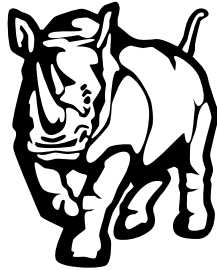
TO GAIN ACCESS TO CHANNEL OPENINGS:



NOTES

NOTES

NOTES



RHINO-RACK®

MAKE SPACE FOR ADVENTURE

RHINORACK.COM

Rhino-Rack AUSTRALIA
22A Hanson Pl,
Eastern Creek, NSW, 2766

Rhino-Rack USA
19822 East 22nd Ave,
Aurora, CO, 80011